



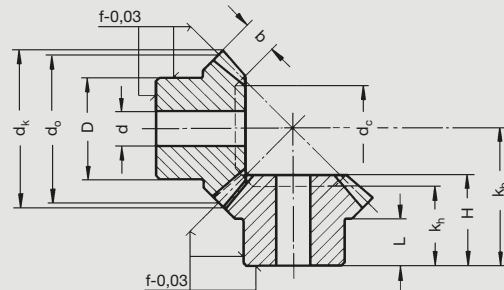
| | Übersetzung Gear | Modul Module | Werkstoff Material | Seite Page |
|--|--|-----------------|---|---------------|
| | 1,0:1 | 1 bis/to 5 | St (Zähne induktiv härtbar / teeth can be induction hardened) | E-2 |
| | 1,5:1 | 1 bis/to 5 | St (Zähne induktiv härtbar / teeth can be induction hardened) | E-3 |
| | 2,0:1 | 1 bis/to 5 | St (Zähne induktiv härtbar / teeth can be induction hardened) | E-3 |
| | 2,5:1 | 1 bis/to 5 | St (Zähne induktiv härtbar / teeth can be induction hardened) | E-3 |
| | 3,0:1 | 1 bis/to 5 | St (Zähne induktiv härtbar / teeth can be induction hardened) | E-4 |
| | 3,5:1 | 1 bis/to 4,5 | St (Zähne induktiv härtbar / teeth can be induction hardened) | E-4 |
| | 4,0:1 | 1 bis/to 4 | St (Zähne induktiv härtbar / teeth can be induction hardened) | E-5 |
| | 5,0:1 | 1 bis/to 3 | St (Zähne induktiv härtbar / teeth can be induction hardened) | E-5 |
| | 1:1 bis/to 5:1 | 1 + 1,5 | Kunststoff / Plastic | E-6 |
| | Auswahldiagramm und Beispiel | | Selection diagram and example | E-7 |
| | Stahl (Zähne induktiv härtbar) Kunststoff | | Steel (teeth can be induction hardened) Plastic | E-9 |
| | Lagerkräfte | | Bearing loads | E-12 |
| | Formeln | | Formulas | E-13 |
| | Einbau | | Mounting | E-15 |
| | Schmierung | | Lubrication | E-17 |
| | Weiterbearbeitung | | Finishing | E-17 |





Kegelräder mit einseitiger Nabe aus Vergütungsstahl Cf 53 W.St.Nr.1.1213 (650/800 N/mm²) –
Stahl für Oberflächenhärtung, 90° Achswinkel, Qualität 8 e 25 DIN 3965

Bevel gears with one-sided hub of heat-treatable steel Cf53, material no. 1.1213 (650/800 N/mm²) –
steel for surface hardening, 90° shaft angle, grade 8e 25 DIN 3965



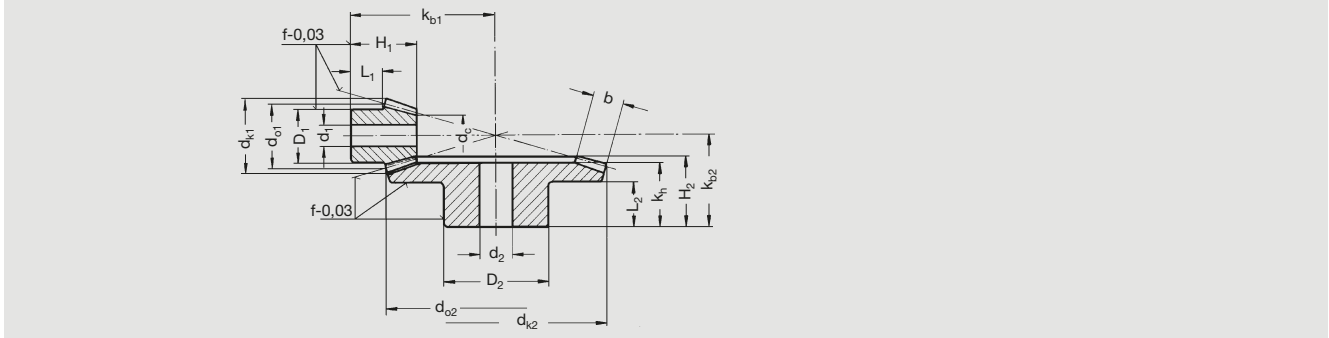
Übersetzung / Gear ratio 1:1

| Bestell-Nummer Order code Rad / Gear | Modul Module m | Zähnezahl N° of teeth z | d _o | b | d _k | D | L | d ^{J8} | k _b | H | k _h | d _c | kg Satz/Set |
|--|----------------------|-------------------------------|----------------|------|----------------|------|------|-----------------|----------------|------|----------------|----------------|----------------|
| 1 40 10 116 | 1,0 | 16 | 16 | 4,0 | 17,4 | 13,3 | 6,5 | 4 | 16 | 11,2 | – | 7,0 | 0,04 |
| 1 40 10 119 | | 19 | 19 | 4,0 | 20,4 | 15,3 | 6,5 | 4 | 18 | 11,8 | – | 11,5 | 0,05 |
| 1 40 10 122 | | 22 | 22 | 4,7 | 23,4 | 16,3 | 5,5 | 5 | 20 | 12,8 | – | 11,5 | 0,06 |
| 1 40 10 126 | | 26 | 26 | 5,5 | 27,4 | 20,3 | 7,0 | 5 | 22 | 13,3 | – | 14,5 | 0,08 |
| 1 40 10 130 | | 30 | 30 | 6,4 | 31,4 | 20,3 | 8,0 | 5 | 26 | 16,0 | – | 17,5 | 0,10 |
| 1 40 15 116 | 1,5 | 16 | 24 | 6,0 | 26,1 | 20,3 | 12,0 | 8 | 26 | 18,9 | – | 12,0 | 0,07 |
| 1 40 15 119 | | 19 | 28,5 | 7,0 | 30,6 | 20,3 | 12,0 | 8 | 30 | 21,3 | – | 14,5 | 0,11 |
| 1 40 15 122 | | 22 | 33 | 7,5 | 35,1 | 25,3 | 12,0 | 8 | 33 | 22,5 | – | 17,0 | 0,18 |
| 1 40 15 126 | | 26 | 39 | 8,5 | 41,1 | 28,3 | 12,0 | 8 | 36 | 23,2 | – | 22,0 | 0,25 |
| 1 40 15 130 | | 30 | 45 | 10,0 | 47,1 | 30,3 | 12,0 | 12 | 42 | 27,2 | – | 26,0 | 0,36 |
| 1 40 20 116 | 2,0 | 16 | 32 | 8,0 | 34,8 | 25,3 | 14,0 | 8 | 33 | 23,5 | – | 15,5 | 0,18 |
| 1 40 20 119 | | 19 | 38 | 9,0 | 40,8 | 25,3 | 12,0 | 8 | 36 | 24,2 | – | 19,5 | 0,23 |
| 1 40 20 122 | | 22 | 44 | 10,0 | 46,8 | 30,3 | 14,0 | 12 | 42 | 27,9 | – | 23,5 | 0,40 |
| 1 40 20 126 | | 26 | 52 | 12,0 | 54,8 | 35,3 | 14,0 | 12 | 48 | 31,4 | – | 29,0 | 0,56 |
| 1 40 20 130 | | 30 | 60 | 13,0 | 62,8 | 40,3 | 17,0 | 14 | 54 | 34,1 | – | 36,0 | 0,80 |
| 1 40 25 116 | 2,5 | 16 | 40 | 10,0 | 43,5 | 30,3 | 15,0 | 12 | 40 | 28,1 | – | 20,0 | 0,32 |
| 1 40 25 119 | | 19 | 47,5 | 11,0 | 51,0 | 35,3 | 13,0 | 12 | 42 | 27,1 | – | 25,0 | 0,45 |
| 1 40 25 122 | | 22 | 55 | 12,0 | 58,5 | 45,3 | 16,0 | 16 | 48 | 30,1 | – | 31,5 | 0,68 |
| 1 40 25 126 | | 26 | 65 | 15,0 | 68,5 | 45,3 | 16,0 | 16 | 54 | 33,2 | – | 36,5 | 0,93 |
| 1 40 25 130 | | 30 | 75 | 16,0 | 78,5 | 50,3 | 20,0 | 16 | 64 | 39,0 | – | 45,5 | 1,45 |
| 1 40 30 116 | 3,0 | 16 | 48 | 12 | 52,5 | 40,3 | 18 | 12 | 46 | 31,7 | – | 23,0 | 0,60 |
| 1 40 30 119 | | 19 | 57 | 13 | 61,2 | 40,3 | 17 | 14 | 54 | 36,0 | – | 30,0 | 0,80 |
| 1 40 30 122 | | 22 | 66 | 15 | 70,2 | 50,3 | 17 | 16 | 58 | 36,9 | – | 36,5 | 1,16 |
| 1 40 30 126 | | 26 | 78 | 17 | 82,2 | 50,3 | 18 | 16 | 64 | 38,4 | – | 45,5 | 1,55 |
| 1 40 30 130 | | 30 | 90 | 19 | 94,2 | 60,3 | 22 | 20 | 74 | 43,8 | – | 55,0 | 2,35 |
| 1 40 35 116 | 3,5 | 16 | 56 | 14 | 60,9 | 45,3 | 20 | 16 | 53 | 36,4 | – | 27,5 | 1,00 |
| 1 40 35 122 | | 22 | 77 | 17 | 81,9 | 55,3 | 18 | 20 | 64 | 39,1 | – | 43,5 | 1,58 |
| 1 40 35 130 | | 30 | 105 | 23 | 110,0 | 70,3 | 22 | 20 | 82 | 47,1 | 43 | 67,0 | 3,50 |
| 1 40 40 116 | 4,0 | 16 | 64 | 15 | 69,7 | 50,3 | 25 | 16 | 64 | 44,3 | – | 32,0 | 1,35 |
| 1 40 40 119 | | 19 | 76 | 18 | 81,7 | 55,3 | 22 | 20 | 68 | 44,4 | – | 40,0 | 1,60 |
| 1 40 40 122 | | 22 | 88 | 20 | 93,7 | 60,3 | 22 | 25 | 74 | 45,9 | – | 49,0 | 2,60 |
| 1 40 40 126 | | 26 | 104 | 23 | 109,7 | 70,3 | 22 | 25 | 82 | 48,0 | 43 | 65,0 | 3,30 |
| 1 40 40 130 | | 30 | 120 | 26 | 125,7 | 80,3 | 25 | 25 | 94 | 54,2 | 49 | 76,0 | 5,10 |
| 1 40 45 116 | 4,5 | 16 | 72 | 17,5 | 78,4 | 55,3 | 25 | 20 | 68 | 46,3 | – | 35,5 | 1,70 |
| 1 40 45 122 | | 22 | 99 | 22 | 105,3 | 70,3 | 25 | 25 | 82 | 50,1 | – | 56,0 | 3,30 |
| 1 40 50 116 | 5,0 | 16 | 80 | 18 | 87,1 | 60,3 | 25 | 25 | 74 | 48,9 | – | 42,0 | 2,10 |
| 1 40 50 119 | | 19 | 95 | 22 | 102,1 | 60,3 | 25 | 25 | 82 | 52,2 | – | 50,0 | 2,80 |
| 1 40 50 122 | | 22 | 110 | 24 | 117,1 | 80,3 | 30 | 30 | 94 | 58,2 | 52 | 68,0 | 4,60 |
| 1 40 50 126 | | 26 | 130 | 29 | 137,1 | 80,3 | 30 | 30 | 105 | 62,7 | 57 | 82,0 | 6,20 |
| 1 40 50 130 | | 30 | 150 | 32 | 157,1 | 80,3 | 35 | 30 | 119 | 68,9 | 63 | 97,0 | 8,10 |



Kegelräder mit einseitiger Nabe aus Vergütungsstahl Cf 53 W.St.Nr.1.1213 (650/800 N/mm²) –
Stahl für Oberflächenhärtung, 90° Achswinkel, Qualität 8 e 25 DIN 3965

Bevel gears with one-sided hub of heat-treatable steel Cf53, material no. 1.1213 (650/800 N/mm²) –
steel for surface hardening, 90° shaft angle, grade 8e 25 DIN 3965



Übersetzung / Gear ratio 1,5:1

16 und / and 24 Zähne / Teeth

| Bestell-Nr. Order code | Modul Module | d _{o1} | d _{o2} | b | d _{k1} | d _{k2} | D ₁ | D ₂ | L ₁ | L ₂ | d ₁ ^{J8} | d ₂ ^{J8} | k _{b1} | k _{b2} | H ₁ | H ₂ | k _h | d _c | kg Satz Set | |
|---------------------------|-----------------|-----------------|-----------------|-----|-----------------|-----------------|----------------|----------------|----------------|----------------|------------------------------|------------------------------|-----------------|-----------------|----------------|----------------|----------------|----------------|-------------------|------|
| Ritzel/Pinion | Rad/Gear | m | | | | | | | | | | | | | | | | | | |
| 140 10 150 | 240 10 150 | 1,0 | 16 | 24 | 4,3 | 18,1 | 24,8 | 13,3 | 20,3 | 7,0 | 9,3 | 4 | 5 | 20 | 20 | 12,0 | 14,8 | 13,0 | 9,0 | 0,12 |
| 140 15 150 | 240 15 150 | 1,5 | 24 | 36 | 8,0 | 27,1 | 37,2 | 20,3 | 28,3 | 11,8 | 16,0 | 8 | 8 | 31 | 32 | 20,3 | 24,9 | 23,0 | 12,5 | 0,17 |
| 140 20 150 | 240 20 150 | 2,0 | 32 | 48 | 10,0 | 36,2 | 49,7 | 25,3 | 32,3 | 13,8 | 16,0 | 8 | 8 | 40 | 37 | 25,2 | 27,2 | 24,5 | 17,5 | 0,28 |
| 140 25 150 | 240 25 150 | 2,5 | 40 | 60 | 13,0 | 45,2 | 62,1 | 32,3 | 45,3 | 16,4 | 20,0 | 12 | 16 | 49 | 46 | 30,8 | 34,0 | 31,0 | 22,0 | 0,58 |
| 140 30 150 | 240 30 150 | 3,0 | 48 | 72 | 14,5 | 54,3 | 74,5 | 40,3 | 55,3 | 16,4 | 20,0 | 12 | 16 | 55 | 51 | 32,4 | 36,2 | 32,0 | 26,0 | 1,10 |
| 140 35 150 | 240 35 150 | 3,5 | 56 | 84 | 18,0 | 63,3 | 86,9 | 45,3 | 55,3 | 20,4 | 25,0 | 16 | 20 | 66 | 61 | 40,4 | 44,2 | 40,0 | 28,0 | 1,40 |
| 140 40 150 | 240 40 150 | 4,0 | 64 | 96 | 18,0 | 72,4 | 99,3 | 50,3 | 60,3 | 25,4 | 25,0 | 16 | 20 | 78 | 66 | 46,8 | 45,5 | 40,0 | 37,0 | 2,00 |
| 140 45 150 | 240 45 150 | 4,5 | 72 | 108 | 20,0 | 81,4 | 111,7 | 60,3 | 80,3 | 25,1 | 35,0 | 20 | 25 | 83 | 81 | 47,6 | 57,8 | 52,0 | 41,0 | 3,20 |
| 140 50 150 | 240 50 150 | 5,0 | 80 | 120 | 24,0 | 90,5 | 124,1 | 60,3 | 80,3 | 25,4 | 35,0 | 25 | 30 | 92 | 86 | 54,1 | 61,1 | 55,0 | 45,0 | 3,70 |

Übersetzung / Gear ratio 2,0:1

15 und / and 30 Zähne / Teeth

| Bestell-Nr. Order code | Modul Module | d _{o1} | d _{o2} | b | d _{k1} | d _{k2} | D ₁ | D ₂ | L ₁ | L ₂ | d ₁ ^{J8} | d ₂ ^{J8} | k _{b1} | k _{b2} | H ₁ | H ₂ | k _h | d _c | kg Satz Set | |
|---------------------------|-----------------|-----------------|-----------------|-----|-----------------|-----------------|----------------|----------------|----------------|----------------|------------------------------|------------------------------|-----------------|-----------------|----------------|----------------|----------------|----------------|-------------------|------|
| Ritzel/Pinion | Rad/Gear | m | | | | | | | | | | | | | | | | | | |
| 140 10 200 | 240 10 200 | 1,0 | 15,0 | 30 | 5,0 | 17,4 | 30,6 | 13,3 | 20,3 | 6,5 | 9 | 4 | 5 | 22 | 20 | 11,9 | 15,1 | 14 | 8,0 | 0,18 |
| 140 15 200 | 240 15 200 | 1,5 | 22,5 | 45 | 9,0 | 26,1 | 45,9 | 20,3 | 32,3 | 11,9 | 16 | 8 | 8 | 35 | 32 | 21,1 | 25,2 | 23 | 11,5 | 0,21 |
| 140 20 200 | 240 20 200 | 2,0 | 30,0 | 60 | 11,5 | 34,8 | 61,2 | 25,3 | 40,3 | 14,1 | 18 | 8 | 14 | 45 | 39 | 26,0 | 29,8 | 27 | 16,0 | 0,45 |
| 140 25 200 | 240 25 200 | 2,5 | 37,5 | 75 | 15,0 | 43,5 | 76,5 | 32,3 | 45,3 | 16,2 | 20 | 12 | 16 | 55 | 45 | 31,8 | 33,7 | 30 | 20,0 | 0,70 |
| 140 30 200 | 240 30 200 | 3,0 | 45,0 | 90 | 17,0 | 52,2 | 91,8 | 40,3 | 55,3 | 19,9 | 25 | 12 | 16 | 66 | 56 | 37,3 | 42,1 | 38 | 25,0 | 1,30 |
| 140 35 200 | 240 35 200 | 3,5 | 52,5 | 105 | 20,5 | 60,9 | 107,1 | 45,3 | 60,3 | 24,7 | 25 | 16 | 20 | 79 | 61 | 46,1 | 45,0 | 40 | 28,5 | 1,90 |
| 140 40 200 | 240 40 200 | 4,0 | 60,0 | 120 | 22,5 | 69,6 | 122,3 | 50,3 | 80,3 | 24,6 | 35 | 20 | 25 | 87 | 76 | 48,6 | 57,3 | 52 | 34,0 | 3,10 |
| 140 45 200 | 240 45 200 | 4,5 | 67,5 | 135 | 26,0 | 78,3 | 137,6 | 60,3 | 80,3 | 24,7 | 35 | 20 | 30 | 94 | 81 | 51,4 | 60,3 | 53 | 37,5 | 3,80 |
| 140 50 200 | 240 50 200 | 5,0 | 75,0 | 150 | 30,0 | 87,0 | 152,9 | 60,3 | 80,3 | 25,3 | 35 | 25 | 30 | 104 | 85 | 57,6 | 62,5 | 56 | 40,0 | 4,60 |

Übersetzung / Gear ratio 2,5:1

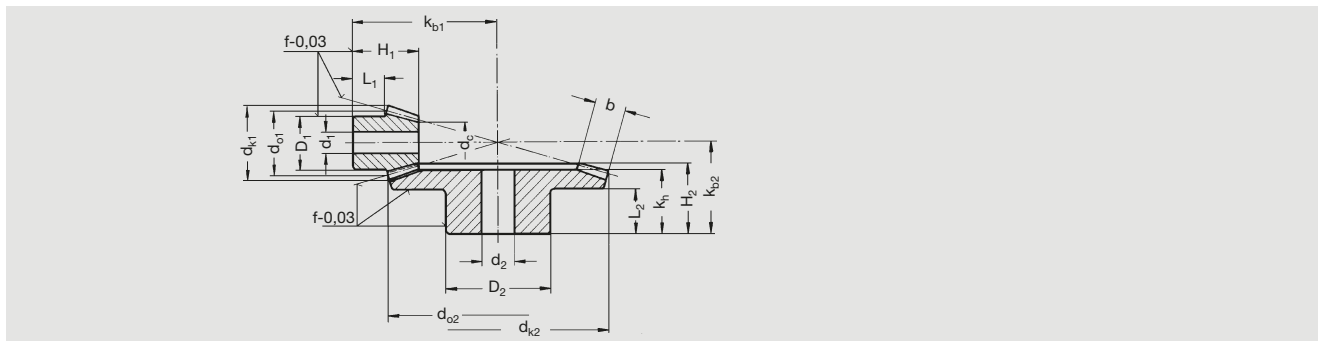
16 und / and 40 Zähne / Teeth

| Bestell-Nr. Order code | Modul Module | d _{o1} | d _{o2} | b | d _{k1} | d _{k2} | D ₁ | D ₂ | L ₁ | L ₂ | d ₁ ^{J8} | d ₂ ^{J8} | k _{b1} | k _{b2} | H ₁ | H ₂ | k _h | d _c | kg Satz Set | |
|---------------------------|-----------------|-----------------|-----------------|-----|-----------------|-----------------|----------------|----------------|----------------|----------------|------------------------------|------------------------------|-----------------|-----------------|----------------|----------------|----------------|----------------|-------------------|------|
| Ritzel/Pinion | Rad/Gear | m | | | | | | | | | | | | | | | | | | |
| 140 10 250 | 240 10 250 | 1,0 | 16 | 40 | 6,5 | 18,6 | 40,4 | 13,3 | 25,3 | 7,4 | 9 | 4 | 8 | 28 | 20 | 14,4 | 14,8 | 14,0 | 9,0 | 0,26 |
| 140 15 250 | 240 15 250 | 1,5 | 24 | 60 | 11,5 | 27,9 | 60,7 | 20,3 | 40,3 | 12,3 | 18 | 8 | 14 | 43 | 35 | 24,2 | 27,8 | 25,5 | 13,0 | 0,32 |
| 140 20 250 | 240 20 250 | 2,0 | 32 | 80 | 15,0 | 37,2 | 80,9 | 25,3 | 45,3 | 13,7 | 20 | 8 | 16 | 55 | 42 | 29,6 | 32,4 | 29,0 | 18,0 | 0,65 |
| 140 25 250 | 240 25 250 | 2,5 | 40 | 100 | 19,0 | 46,4 | 101,1 | 32,3 | 55,3 | 18,5 | 25 | 12 | 16 | 70 | 52 | 38,4 | 39,8 | 36,0 | 22,5 | 1,20 |
| 140 30 250 | 240 30 250 | 3,0 | 48 | 120 | 21,5 | 55,7 | 121,4 | 40,3 | 60,3 | 19,6 | 30 | 16 | 20 | 81 | 63 | 41,9 | 47,9 | 44,0 | 27,5 | 1,90 |
| 140 35 250 | 240 35 250 | 3,5 | 56 | 140 | 22,6 | 65,0 | 141,6 | 45,3 | 80,3 | 25,0 | 35 | 20 | 25 | 97 | 73 | 49,1 | 54,6 | 50,0 | 34,0 | 3,30 |
| 140 40 250 | 240 40 250 | 4,0 | 64 | 160 | 26,0 | 74,3 | 161,8 | 55,3 | 80,3 | 25,3 | 35 | 20 | 30 | 107 | 78 | 52,5 | 57,0 | 51,0 | 38,5 | 4,30 |
| 140 50 250 | 240 50 250 | 5,0 | 80 | 200 | 32,0 | 92,9 | 202,3 | 60,3 | 90,3 | 30,1 | 40 | 25 | 30 | 134 | 92 | 65,4 | 65,7 | 58,0 | 49,5 | 7,10 |



Kegelräder mit einseitiger Nabe aus Vergütungsstahl Cf 53 W.St.Nr.1.1213 (650/800 N/mm²) –
Stahl für Oberflächenhärtung, 90° Achswinkel, Qualität 8 e 25 DIN 3965

Bevel gears with one-sided hub of heat-treatable steel Cf53, material no. 1.1213 (650/800 N/mm²) –
steel for surface hardening, 90° shaft angle, grade 8e 25 DIN 3965



Übersetzung / Gear ratio 3,0:1

15 und / and 45 Zähne / Teeth

| Bestell-Nr. Order code | Modul Module m | d _{o1} | d _{o2} | b | d _{k1} | d _{k2} | D ₁ | D ₂ | L ₁ | L ₂ | d ₁ ^{JB} | d ₂ ^{JB} | k _{b1} | k _{b2} | H ₁ | H ₂ | k _h | d _c | kg Satz Set | |
|---------------------------|----------------------|-----------------|-----------------|-------|-----------------|-----------------|----------------|----------------|----------------|----------------|------------------------------|------------------------------|-----------------|-----------------|----------------|----------------|----------------|----------------|-------------------|------|
| 140 10 300 | 240 10 300 | 1,0 | 15,0 | 45,0 | 7,1 | 17,7 | 45,3 | 13,3 | 25,3 | 9,2 | 10 | 4 | 8 | 32 | 22 | 16,6 | 17,1 | 15,0 | 8,0 | 0,32 |
| 140 15 300 | 240 15 300 | 1,5 | 22,5 | 67,5 | 10,5 | 26,5 | 68,1 | 19,3 | 45,3 | 11,7 | 20 | 8 | 14 | 46 | 37 | 22,6 | 29,6 | 27,0 | 14,0 | 0,47 |
| 140 20 300 | 240 20 300 | 2,0 | 30,0 | 90,0 | 14,0 | 35,4 | 90,8 | 25,3 | 45,3 | 14,2 | 20 | 8 | 16 | 60 | 42 | 28,9 | 32,1 | 29,0 | 18,0 | 0,75 |
| 140 25 300 | 240 25 300 | 2,5 | 37,5 | 112,5 | 18,0 | 44,2 | 113,4 | 32,3 | 60,3 | 15,9 | 25 | 12 | 20 | 73 | 52 | 34,6 | 39,7 | 36,0 | 22,5 | 1,50 |
| 140 30 300 | 240 30 300 | 3,0 | 45,0 | 135,0 | 21,0 | 53,0 | 136,1 | 40,3 | 60,3 | 19,7 | 30 | 16 | 25 | 88 | 62 | 41,3 | 47,2 | 42,5 | 28,5 | 1,90 |
| 140 35 300 | 240 35 300 | 3,5 | 52,5 | 157,5 | 23,5 | 61,9 | 158,8 | 45,3 | 80,3 | 25,0 | 35 | 20 | 25 | 105 | 72 | 49,6 | 54,4 | 49,0 | 33,5 | 3,70 |
| 140 40 300 | 240 40 300 | 4,0 | 60,0 | 180,0 | 27,5 | 70,7 | 181,5 | 50,3 | 80,3 | 25,4 | 35 | 20 | 30 | 117 | 77 | 54,3 | 57,0 | 51,0 | 38,0 | 4,80 |
| 140 45 300 | 240 45 300 | 4,5 | 67,5 | 202,5 | 28,5 | 79,5 | 204,2 | 55,3 | 90,3 | 24,8 | 40 | 25 | 30 | 128 | 87 | 55,2 | 63,9 | 57,0 | 44,0 | 6,50 |
| 140 50 300 | 240 50 300 | 5,0 | 75,0 | 225,0 | 33,0 | 88,4 | 226,9 | 60,3 | 90,3 | 30,0 | 40 | 25 | 30 | 145 | 92 | 65,3 | 66,7 | 59,0 | 47,0 | 8,70 |

Übersetzung / Gear ratio 3,5:1

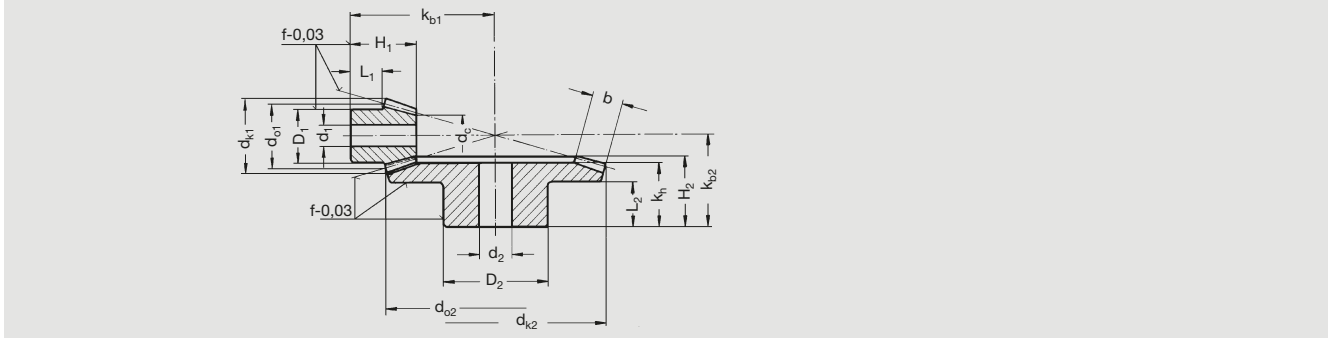
16 und / and 56 Zähne / Teeth

| Bestell-Nr. Order code | Modul Module m | d _{o1} | d _{o2} | b | d _{k1} | d _{k2} | D ₁ | D ₂ | L ₁ | L ₂ | d ₁ ^{JB} | d ₂ ^{JB} | k _{b1} | k _{b2} | H ₁ | H ₂ | k _h | d _c | kg Satz Set | |
|---------------------------|----------------------|-----------------|-----------------|-----|-----------------|-----------------|----------------|----------------|----------------|----------------|------------------------------|------------------------------|-----------------|-----------------|----------------|----------------|----------------|----------------|-------------------|------|
| 140 10 350 | 240 10 350 | 1,0 | 16 | 56 | 8,7 | 18,7 | 56,3 | 13,3 | 30,3 | 7,6 | 10 | 4 | 8 | 36 | 22 | 16,6 | 16,7 | 15,0 | 9,0 | 0,40 |
| 140 15 350 | 240 15 350 | 1,5 | 24 | 84 | 12,0 | 28,1 | 84,5 | 20,3 | 45,3 | 11,5 | 25 | 8 | 14 | 54 | 43 | 24,0 | 34,8 | 32,0 | 16,0 | 0,70 |
| 140 25 350 | 240 25 350 | 2,5 | 40 | 140 | 20,0 | 46,8 | 140,8 | 32,3 | 60,3 | 17,9 | 30 | 14 | 20 | 89 | 58 | 38,9 | 44,4 | 40,5 | 25,5 | 2,10 |
| 140 35 350 | 240 35 350 | 3,5 | 56 | 196 | 25,0 | 65,6 | 197,1 | 45,3 | 80,3 | 25,5 | 35 | 20 | 25 | 125 | 75 | 52,0 | 55,1 | 49,0 | 37,5 | 5,00 |
| 140 45 350 | 240 45 350 | 4,5 | 72 | 252 | 32,0 | 84,3 | 253,4 | 60,3 | 90,3 | 28,0 | 40 | 20 | 30 | 156 | 92 | 62,0 | 66,5 | 58,0 | 48,5 | 9,70 |



Kegelräder mit einseitiger Nabe aus Vergütungsstahl Cf 53 W.St.Nr.1.1213 (650/800 N/mm²) –
Stahl für Oberflächenhärtung, 90° Achswinkel, Qualität 8 e 25 DIN 3965

Bevel gears with one-sided hub of heat-treatable steel Cf53, material no. 1.1213 (650/800 N/mm²) –
steel for surface hardening, 90° shaft angle, grade 8e 25 DIN 3965



Übersetzung / Gear ratio 4,0:1

15 und / and 60 Zähne / Teeth

| Bestell-Nr. Order code | Rad/Gear | Modul Module m | d _{o1} | d _{o2} | b | d _{k1} | d _{k2} | D ₁ | D ₂ | L ₁ | L ₂ | d ₁ ^{j8} | d ₂ ^{j8} | k _{b1} | k _{b2} | H ₁ | H ₂ | k _h | d _c | kg Satz Set |
|---------------------------|------------|----------------------|-----------------|-----------------|------|-----------------|-----------------|----------------|----------------|----------------|----------------|------------------------------|------------------------------|-----------------|-----------------|----------------|----------------|----------------|----------------|-------------------|
| 140 10 400 | 240 10 400 | 1,0 | 15,0 | 60 | 9,3 | 17,8 | 60,3 | 13,3 | 30,3 | 7,7 | 10 | 4 | 8 | 38 | 22 | 17,2 | 17,1 | 15 | 8,0 | 0,50 |
| 140 15 400 | 240 15 400 | 1,5 | 22,5 | 90 | 11,0 | 26,7 | 90,4 | 20,3 | 50,3 | 11,7 | 25 | 8 | 16 | 57 | 42 | 23,0 | 34,0 | 31 | 15,0 | 0,80 |
| 140 20 400 | 240 20 400 | 2,0 | 30,0 | 120 | 16,0 | 35,6 | 120,6 | 25,3 | 60,3 | 14,4 | 25 | 8 | 16 | 75 | 48 | 31,0 | 37,6 | 34 | 20,0 | 1,40 |
| 140 25 400 | 240 25 400 | 2,5 | 37,5 | 150 | 19,0 | 44,5 | 150,7 | 32,3 | 60,3 | 18,4 | 30 | 14 | 20 | 94 | 58 | 38,1 | 44,8 | 40 | 25,0 | 2,20 |
| 140 30 400 | 240 30 400 | 3,0 | 45,0 | 180 | 23,0 | 53,3 | 180,8 | 40,3 | 80,3 | 24,5 | 35 | 16 | 25 | 115 | 69 | 48,1 | 53,2 | 48 | 30,0 | 4,60 |
| 140 40 400 | 240 40 400 | 4,0 | 60,0 | 240 | 30,0 | 71,1 | 241,1 | 50,3 | 90,3 | 23,0 | 40 | 20 | 30 | 145 | 82 | 55,1 | 60,8 | 53 | 37,5 | 7,00 |

Übersetzung / Gear ratio 5,0:1

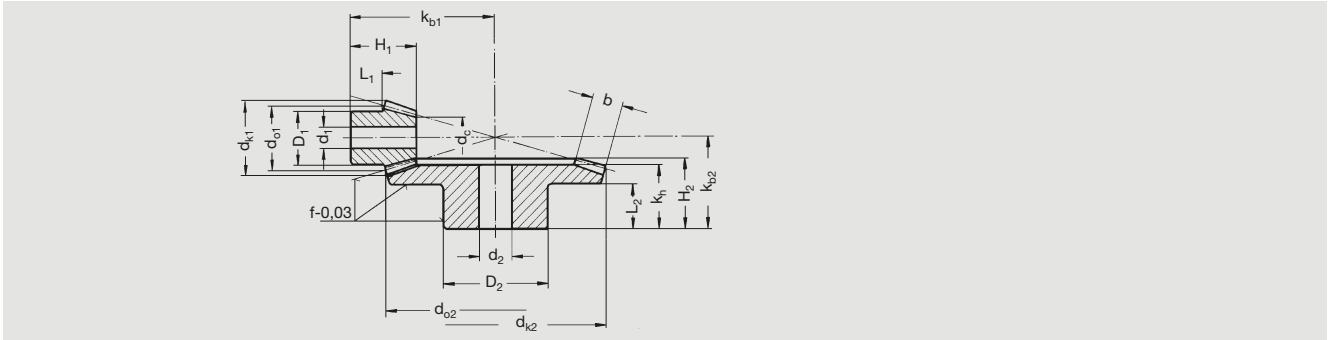
15 und / and 75 Zähne / Teeth

| Bestell-Nr. Order code | Rad/Gear | Modul Module m | d _{o1} | d _{o2} | b | d _{k1} | d _{k2} | D ₁ | D ₂ | L ₁ | L ₂ | d ₁ ^{j8} | d ₂ ^{j8} | k _{b1} | k _{b2} | H ₁ | H ₂ | k _h | d _c | kg Satz Set |
|---------------------------|------------|----------------------|-----------------|-----------------|------|-----------------|-----------------|----------------|----------------|----------------|----------------|------------------------------|------------------------------|-----------------|-----------------|----------------|----------------|----------------|----------------|-------------------|
| 140 10 500 | 240 10 500 | 1,0 | 15,0 | 75,0 | 11,5 | 17,8 | 75,2 | 13,3 | 40,3 | 8,3 | 10 | 4 | 8 | 46 | 22 | 20,0 | 17,1 | 15 | 9,0 | 0,75 |
| 140 15 500 | 240 15 500 | 1,5 | 22,5 | 112,5 | 12,0 | 26,7 | 112,8 | 20,3 | 50,3 | 15,0 | 20 | 8 | 16 | 72 | 42 | 27,8 | 33,7 | 30 | 15,0 | 1,10 |
| 140 20 500 | 240 20 500 | 2,0 | 30,0 | 150,0 | 16,0 | 35,7 | 150,4 | 25,3 | 60,3 | 19,0 | 25 | 8 | 20 | 94 | 50 | 35,1 | 38,9 | 35 | 20,0 | 2,00 |
| 140 25 500 | 240 25 500 | 2,5 | 37,5 | 187,5 | 20,0 | 44,6 | 188,1 | 30,3 | 80,3 | 21,0 | 25 | 12 | 25 | 115 | 56 | 41,4 | 42,2 | 36 | 25,5 | 3,40 |
| 140 30 500 | 240 30 500 | 3,0 | 45,0 | 225,0 | 24,0 | 53,5 | 225,7 | 35,3 | 90,3 | 25,0 | 30 | 14 | 30 | 138 | 66 | 49,7 | 49,4 | 43 | 32,0 | 5,60 |



Kegelräder mit einseitiger Nabe aus Kunststoff, (Acetalharz „Delrin“, weiß), 90° Achswinkel, Qualität 9 bc 26 DIN 3965

Bevel gears with one-sided hub of plastic (acetal resin „Delrin“, white), 90° shaft angle, grade 9 bc 26 DIN3965



Übersetzung / Gear ratio 1:1 bis / to 5,0:1

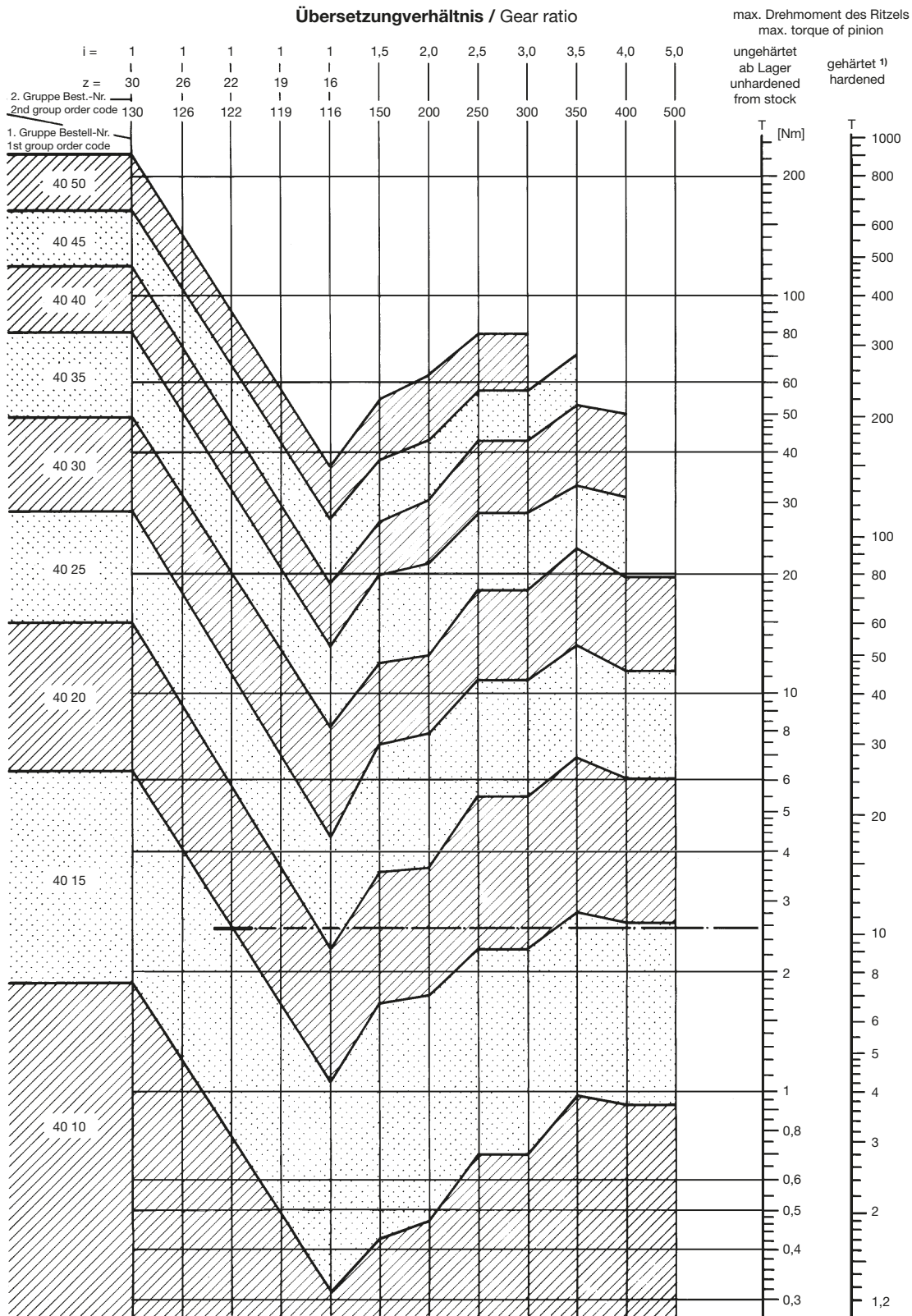
| Bestell-Nr. | | i | z ₁ | z ₂ | d _{o1} | b | d _{k1} | d _{k2} | D ₁ | D ₂ | L ₁ | L ₂ | d ₁ ^{J8} | d ₂ ^{J8} | k _{b1} | k _{b2} | H ₁ | H ₂ | k _h | kg Satz Set |
|---------------------------|--------------------------|-----|----------------|----------------|-----------------|------|-----------------|-----------------|----------------|----------------|----------------|----------------|------------------------------|------------------------------|-----------------|-----------------|----------------|----------------|----------------|-------------------|
| Order code | Ritzel/Pinion Rad/Gear | | | | | | | | | | | | | | | | | | | |
| Modul / Module 1 | | | | | | | | | | | | | | | | | | | | |
| 141 10 116 | 141 10 116 ¹⁾ | 1,0 | 16 | - | 16,0 | 4,0 | 17,4 | - | 13,3 | - | 6,5 | - | 4 | - | 16,0 | - | 11,2 | - | - | 7 |
| 141 10 119 | 141 10 119 | 1,0 | 19 | - | 19,0 | 4,0 | 20,4 | - | 15,3 | - | 6,5 | - | 4 | - | 18,0 | - | 11,8 | - | - | 10 |
| 141 10 122 | 141 10 122 | 1,0 | 22 | - | 22,0 | 4,7 | 23,4 | - | 15,3 | - | 5,5 | - | 5 | - | 20,0 | - | 12,8 | - | - | 12 |
| 141 10 126 | 141 10 126 | 1,0 | 26 | - | 26,0 | 5,5 | 27,4 | - | 20,3 | - | 7,0 | - | 5 | - | 22,0 | - | 13,3 | - | - | 15 |
| 141 10 930 | 141 10 930 ¹⁾ | 1,0 | 30 | - | 30,0 | 7,0 | 31,4 | - | 20,3 | - | 8,0 | - | 5 | - | 24,8 | - | 15,2 | - | 13,2 | 20 |
| 141 10 150 | 241 10 150 | 1,5 | 16 | 24 | 16,0 | 4,3 | 18,1 | 24,8 | 13,3 | 20,3 | 7,0 | 9,3 | 4 | 5 | 20,0 | 20 | 12,0 | 14,8 | 13,0 | 20 |
| 141 10 200 | 241 10 200 | 2,0 | 15 | 30 | 15,0 | 5,0 | 17,4 | 30,6 | 13,3 | 20,3 | 6,5 | 9,0 | 4 | 5 | 22,0 | 20 | 11,9 | 15,1 | 14,0 | 30 |
| 141 10 250 | 241 10 250 | 2,5 | 16 | 40 | 16,0 | 6,5 | 18,6 | 40,4 | 13,3 | 25,3 | 7,4 | 9,0 | 4 | 8 | 28,0 | 20 | 14,4 | 14,8 | 14,0 | 45 |
| Modul / Module 1,5 | | | | | | | | | | | | | | | | | | | | |
| 141 15 116 | 141 15 116 ¹⁾ | 1,0 | 16 | - | 24,0 | 6,0 | 26,1 | - | 20,3 | - | 12,0 | - | 8 | - | 26 | - | 18,9 | - | - | 12 |
| 141 15 119 | 141 15 119 | 1,0 | 19 | - | 28,5 | 7,0 | 30,6 | - | 20,3 | - | 12,0 | - | 8 | - | 30 | - | 21,3 | - | - | 20 |
| 141 15 122 | 141 15 122 | 1,0 | 22 | - | 33,0 | 7,5 | 35,1 | - | 25,3 | - | 12,0 | - | 8 | - | 33 | - | 22,5 | - | - | 33 |
| 141 15 126 | 141 15 126 | 1,0 | 26 | - | 39,0 | 8,5 | 41,1 | - | 28,3 | - | 12,0 | - | 8 | - | 36 | - | 23,2 | - | - | 45 |
| 141 15 130 | 141 15 130 | 1,0 | 30 | - | 45,0 | 10,0 | 47,1 | - | 30,3 | - | 12,0 | - | 12 | - | 42 | - | 27,2 | - | - | 65 |
| 141 15 200 | 241 15 200 | 2,0 | 15 | 30 | 22,5 | 9,0 | 26,1 | 45,9 | 20,3 | 32,3 | 11,9 | 16,0 | 8 | 8 | 35 | 32 | 21,1 | 25,2 | 23,0 | 38 |
| 141 15 250 | 241 15 250 | 2,5 | 16 | 40 | 24,0 | 11,5 | 27,9 | 60,7 | 20,3 | 40,3 | 12,3 | 18,0 | 8 | 14 | 43 | 35 | 24,2 | 27,8 | 25,5 | 58 |
| 141 15 300 | 241 15 300 | 3,0 | 15 | 45 | 22,5 | 10,5 | 26,5 | 68,1 | 19,3 | 45,3 | 11,7 | 20,0 | 8 | 14 | 46 | 37 | 22,6 | 29,6 | 27,0 | 85 |
| 141 15 400 | 241 15 400 | 4,0 | 15 | 60 | 22,5 | 11,0 | 26,7 | 90,4 | 20,3 | 50,3 | 11,7 | 25,0 | 8 | 16 | 57 | 42 | 23,0 | 34,0 | 31,0 | 150 |
| 141 15 500 | 241 15 500 | 5,0 | 15 | 75 | 22,5 | 12,0 | 26,7 | 112,8 | 20,3 | 50,3 | 15,0 | 20,0 | 8 | 16 | 72 | 42 | 27,8 | 33,7 | 30,0 | 200 |

¹⁾ Diese Spritzgussteile weisen im Inneren fertigungsbedingte Lunkerstellen auf und sollten daher nur geringfügig aufgebohrt werden. Bei größeren Bohrungen und beim Nuten werden die Lunkerstellen sichtbar. Die Funktion wird dadurch aber oft nicht beeinträchtigt.

The injection molded components have inside voids because of the production process. The components should only slightly be rebores. If the bores and keyways are bigger the voids will be visible. This has no influence to the function of the components.



Diagramm zur Bestimmung eines Geradzahn-Kegelradpaares aus Stahl Diagram for the selection of a straight-tooth bevel-gear pair of steel



Ablesebeispiel: Bestell-Nr. 40 15 122 $i = 1$, $z = 22$, $T_d = 2,54$ Nm
 Reading example: Order code 40 15 122 $i = 1$, $z = 22$, $T_d = 2,54$ Nm

1) Für gehärtete Ritzel mit mehr als 20 Zähnen wird beim Diagrammwert die Biegewechselfestigkeit erreicht. Deshalb muss der Sicherheitswert S entsprechend höher gehalten werden.

In the case of hardened pinions with more than 20 teeth the diagram reflects the fatigue bending strength under reversed bending stresses. Accordingly, a higher coefficient of safety S must be chosen.



Bestimmung eines Geradzahn-Kegelradpaares aus Stahl

Selection of a straight-tooth bevel-gear pair of steel

Erforderliche Daten

Eingangsdrehmoment am Ritzel T_1 (Nm)
 Drehzahl des Ritzels n_1 (min⁻¹)
 Übersetzungsverhältnis i ()
 Belastungsfaktor K_A
 Geschwindigkeitsfaktor f_n
 Sicherheitsfaktor S

Bedingung

$$T_{Diagr} \geq T_1 \cdot K_A \cdot f_n \cdot S$$

Required data

Input torque on pinion T_1 (Nm)
 Speed of rotation of pinion n_1 (min⁻¹)
 Gear ratio i ()
 Load factor K_A
 Speed factor f_n
 Safety factor S

Condition

$$T_{diagr} \geq T_1 \cdot K_A \cdot f_n \cdot S$$



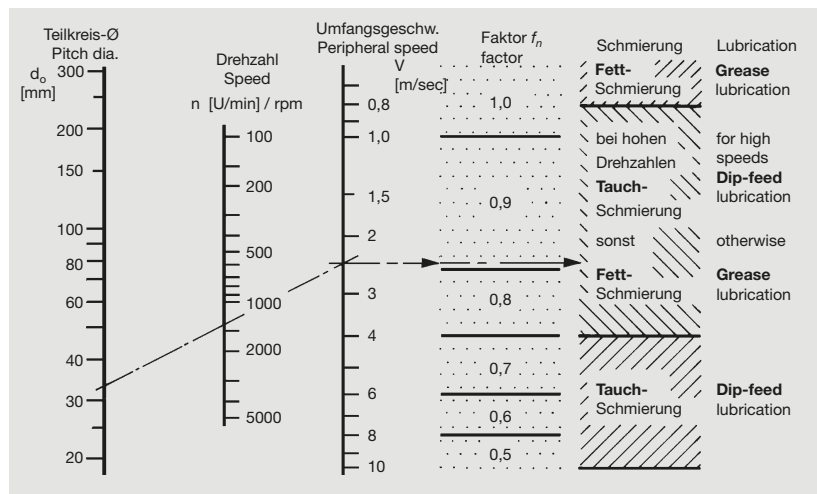
Belastungsfaktor K_A

| Antrieb | Belastungsart der anzutreibenden Maschine | | |
|----------------|---|----------------|--------------|
| | gleichförmig | mittlere Stöße | starke Stöße |
| gleichförmig | 1,00 | 1,25 | 1,75 |
| leichte Stöße | 1,25 | 1,50 | 2,00 |
| mittlere Stöße | 1,50 | 1,75 | 2,25 |

Load factor K_A

| Drive | Type of load from the machine to be driven | | |
|---------------|--|---------------|--------------|
| | uniform | medium shocks | heavy shocks |
| uniform | 1,00 | 1,25 | 1,75 |
| light shocks | 1,25 | 1,50 | 2,00 |
| medium shocks | 1,50 | 1,75 | 2,25 |

Geschwindigkeitsfaktor / Speed factor f_n



Rechenbeispiel

Erforderliche Daten

$T_1 = 1,00$ Nm
 $n_1 = 1400$ min⁻¹
 $i = 1,0$
 $K_A = 1,25$
 $f_n = 0,9$
 $S = 1,5$

Bedingung

$T_{Diagr} \geq 1,0 \cdot 1,25 \cdot 0,9 \cdot 1,5 \approx 1,7$ Nm
 $T_{Diagr} \approx 2,5$ Nm > 1,7 Nm
 gewählt Kegelradsatz 40 15 122
 (Modul 1,5, z = 22 Zähne und Tauchschmierung)

Calculating example

Required data

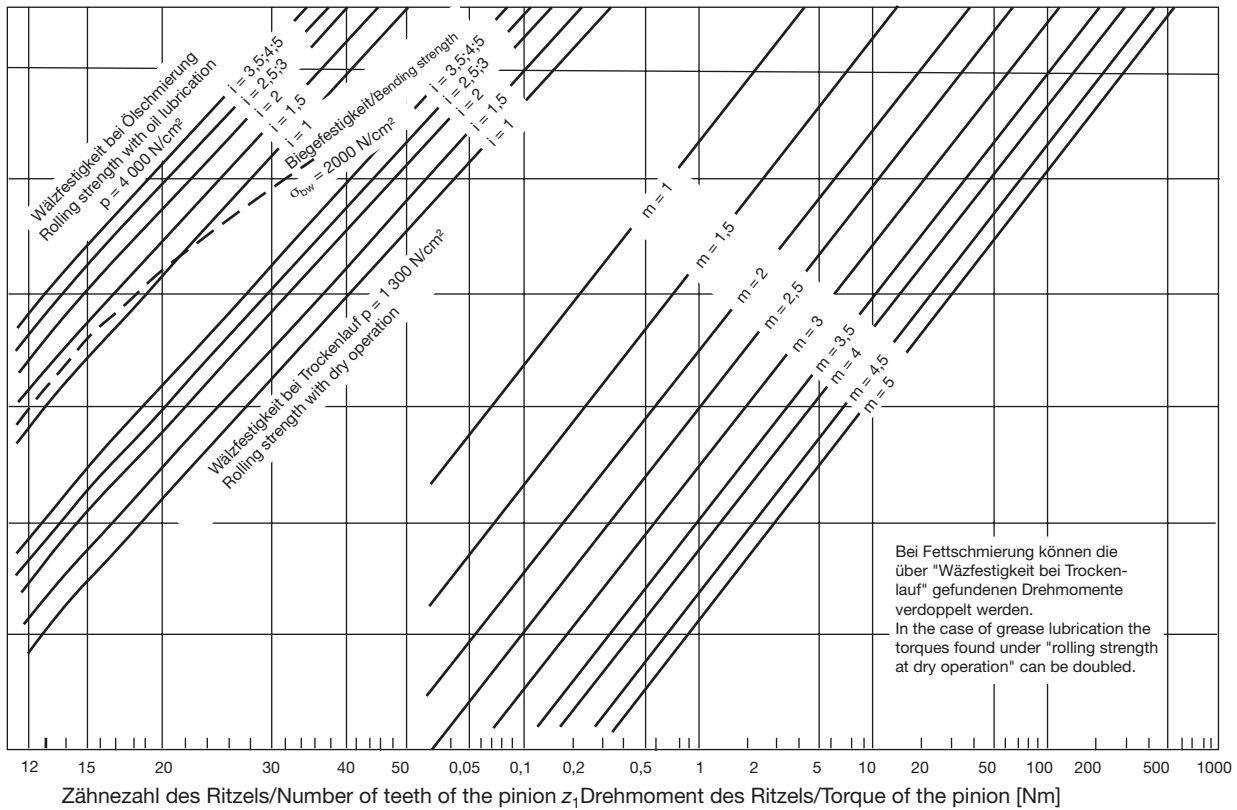
$T_1 = 1,00$ Nm
 $n_1 = 1400$ min⁻¹
 $i = 1,0$
 $K_A = 1,25$
 $f_n = 0,9$
 $S = 1,5$

Condition

$T_{diagr} \geq 1,0 \cdot 1,25 \cdot 0,9 \cdot 1,5 \approx 1,7$ Nm
 $T_{diagr} \approx 2,5$ Nm > 1,7 Nm
 Selected bevel-gear set: 40 15 122
 (Module 1.5, z = 22 teeth and dip-feed lubrication)



Diagramm zur Bestimmung eines Norm-Kegelradpaares aus Kunststoff
Diagram for the selection of a straight-tooth bevel-gear pair of plastic



Erforderliche Daten

Drehmoment des Ritzels T_1 [Nm]
 Drehzahl des Ritzels n_1 [min⁻¹]
 Übersetzungsverhältnis i
 Umgebungstemperatur δ_u [°C]

Schmierung: Öl, Fett, trocken
 gewünschte Lebensdauer in Stunden [h]
 (1 Jahr bei 8 h pro Tag = 2000 h)

Paarung: Kunststoff/Kunststoff oder Kunststoff/Metall

Oberflächenrauigkeit R_t des Metallzahnes
 (siehe Werte Seite E-10)

Bedingung

für Wälzfestigkeit
 $T_{1Diagr} \geq T_1 \cdot S / f_{nw}$ (Nm)

für Biegefestigkeit
 $T_{1Diagr} \geq T_1 \cdot S \cdot K_A / (f_t \cdot f_{nw})$ (Nm)

für Zahnflusstemperatur
 δ darf 120 °C nicht überschreiten

für Zahnflankentemperatur
 δ darf 120 °C nicht überschreiten

Required data

Pinion torque T_1 [Nm]
 Pinion speed n_1 [min⁻¹]
 Gear ratio i
 Ambient temperature δ_u [°C]

Lubrication: Oil, grease, dry
 desired service life in hours
 (1 year at 8 h per day = 2000 h)

Combination: Plastic/plastic or plastic/metal

Surface roughness R_t of the metal tooth
 (see values on page E-10)

Condition

for rolling strength
 $T_{1diagr} \geq T_1 \cdot S / f_{nw}$ (Nm)

for bending strength
 $T_{1diagr} \geq T_1 \cdot S \cdot K_A / (f_t \cdot f_{nw})$ (Nm)

for tooth root temperature
 δ must not exceed 120 °C

for flank temperature
 δ must not exceed 120 °C



Faktoren zur Nachrechnung von Geradzahn-Kegelrädern aus Kunststoff

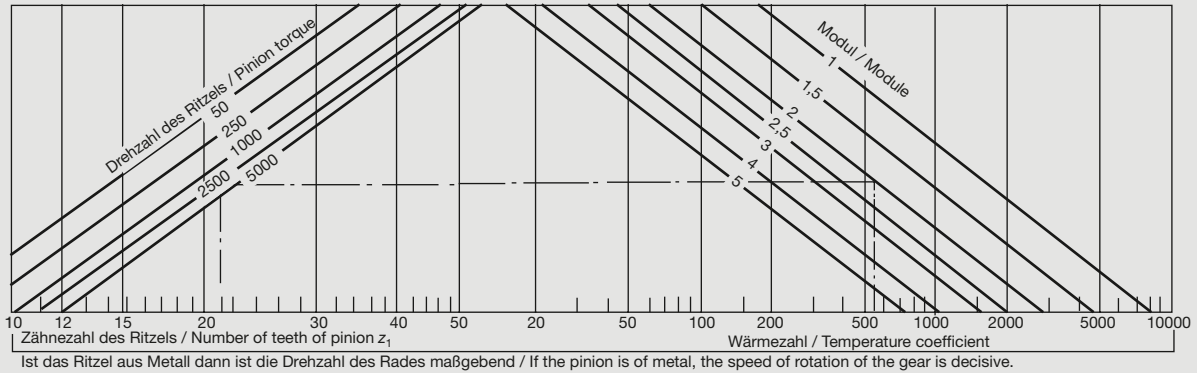
Factors for the recalculation of straight-tooth bevel gears of plastic

Temperaturfaktor f_t

a) Wärmehzahl

Temperature factor f_t

a) Thermal coefficient



b) Zahnflankentemperatur

$$\delta_F = \delta_{Umgebung} + \frac{T_{1\text{erf.}} \cdot \mu \cdot k}{b} \cdot \text{Wärmehzahl} \quad [^{\circ}\text{C}]$$

b) Tooth flank temperature

$$\delta_F = \delta_{amb.} + \frac{T_{1\text{req.}} \cdot \mu \cdot k}{b} \cdot \text{thermal coefficient} \quad [^{\circ}\text{C}]$$

c) Zahnfußtemperatur

$$\delta_z = \delta_{Umgebung} + 0,16 \frac{T_{1\text{erf.}} \cdot \mu \cdot k}{b} \cdot \text{Wärmehzahl} \quad [^{\circ}\text{C}]$$

c) Tooth root temperature

$$\delta_z = \delta_{amb.} + 0,16 \frac{T_{1\text{req.}} \cdot \mu \cdot k}{b} \cdot \text{thermal coefficient} \quad [^{\circ}\text{C}]$$

| | | | | | | | | | |
|--|------------|-----|-----|-----|-----|-----|----|-----|-----|
| Zahnfußtemperatur / Tooth root temperature | δ_z | -20 | 0 | 20 | 40 | 60 | 80 | 100 | 120 |
| Temperaturfaktor / Temperature factor | f_t | 1,8 | 1,7 | 1,6 | 1,4 | 1,2 | 1 | 0,7 | 0,3 |

Eingesetzt wird

$\delta_{Umgebung}$ · in °C

T_1 erforderlich in Nm

b (Zahnbreite) in mm

μ 0,05 für Ölschmierung
0,10 für Fettschmierung
0,20 für Trockenlauf

k 10 für Kunststoff/Kunststoff
5 für Metall/Kunststoff

Insert

$\delta_{amb.}$ · in °C

T_1 required in Nm

b (tooth width) in mm

μ 0,05 for oil lubrication
0,10 for grease lubrication
0,20 for dry operation

k 10 for plastic/plastic
5 for metal/plastic



Lebensdauerfaktor f_{nw}

unter Berücksichtigung der Dauerwälzfestigkeit und der Oberflächenrauigkeit des Metallzahnes (bei Paarung Kunststoff mit Metall). Ist das Ritzel aus Metall, ist die Drehzahl des Rades maßgebend.

Lifetime factor f_{nw}

considering the fatigue rolling strength and the surface roughness of the metal tooth (for plastic/metal combinations). If the pinion is of metal, the speed of rotation of the gear is decisive.

| Betriebsdauer in Std. Operating time in hours | 500 | | 1000 | | 2000 | | 4000 | | | | | | | | | | |
|---|---------------------------|------|--------|------|------------|------|--------|------|------|------|------|------|------|------|------|------|------|
| | Kunststoff mit Kunststoff | | Metall | | Kunststoff | | Metall | | | | | | | | | | |
| Paarung/Combination: Kunststoff mit Kunststoff | Plastic with Plastic | | Metal | | Plastic | | Metal | | | | | | | | | | |
| Rauhtiefe Rt [μ] Surface roughness Rt | 5 | 10 | 20 | 5 | 10 | 20 | 5 | 10 | 20 | | | | | | | | |
| Drehzahl des Ritzels Speed of rotation of the pinion [min ⁻¹] | 50 | 2,0 | 1,00 | 0,90 | 0,70 | 1,6 | 0,80 | 0,70 | 0,50 | 1,3 | 0,70 | 0,60 | 0,40 | 1,0 | 0,50 | 0,40 | 0,20 |
| 500 | 1,0 | 0,50 | 0,40 | 0,30 | 0,8 | 0,40 | 0,35 | 0,20 | 0,6 | 0,30 | 0,25 | 0,15 | 0,5 | 0,25 | 0,20 | 0,10 | |
| 1400 | 0,8 | 0,40 | 0,30 | 0,20 | 0,6 | 0,30 | 0,25 | 0,15 | 0,5 | 0,25 | 0,15 | 0,10 | 0,4 | 0,20 | 0,10 | 0,07 | |
| 2800 | 0,6 | 0,30 | 0,20 | 0,15 | 0,5 | 0,25 | 0,15 | 0,10 | 0,4 | 0,20 | 0,10 | 0,07 | 0,3 | 0,15 | 0,07 | 0,05 | |
| 5000 | 0,5 | 0,25 | 0,15 | 0,10 | 0,4 | 0,20 | 0,10 | 0,07 | 0,3 | 0,15 | 0,07 | 0,05 | 0,2 | 0,10 | 0,05 | 0,03 | |



Lebensdauerfaktor f_{nb}

berücksichtigt die Biegewechselfestigkeit

Lifetime factor f_{nb}

considers the fatigue strength under reversed bending stresses

| Drehzahl d. Ritzels Pinion rpm | Betriebsdauer in Stunden Operating time in hours | | | | |
|-----------------------------------|---|------|------|------|------|
| | 400 | 1000 | 2000 | 4000 | 8000 |
| n_1 | 400 | 1000 | 2000 | 4000 | 8000 |
| 50 | 1,5 | 1,3 | 1,2 | 1,0 | 0,8 |
| 500 | 1,0 | 0,9 | 0,8 | 0,7 | 0,6 |
| 1400 | 0,9 | 0,8 | 0,7 | 0,6 | 0,5 |
| 2800 | 0,8 | 0,7 | 0,6 | 0,5 | 0,4 |
| 5000 | 0,7 | 0,6 | 0,5 | 0,4 | 0,3 |

Ist das Ritzel aus Metall, ist die Drehzahl des Rades maßgebend.

If the pinion is of metal, the speed of the gear is decisive.

Belastungsfaktor K_A

Treffen mehrere Belastungsfälle für einen Antrieb zu, so müssen die entsprechenden Faktoren in der Rechnung berücksichtigt werden.

Load factor K_A

If several types of load apply to the drive, the respective factors must be considered in the calculation.

| Belastungsfall | Belastungsfaktor K_A |
|---|--|
| Häufiger Anlauf unter Last Große Schwungmomente Reversierbetrieb | 1,1 bis 1,4 |
| Bewitterung im Freien Ultraviolette Bestrahlung | 1,1 bis 1,4 |
| Drehmoment bleibt im Stillstand teilweise (max. ½ T ₁) bestehen | Ölschmierung 1,2 bis 1,8 Fettschm. 1,1 bis 1,4 Trockenlauf 1,0 bis 1,2 |

| Type of load | Load factor K_A |
|---|---|
| Frequent start-ups under load High moments of inertia Reversing operation | 1,1 to 1,4 |
| Outdoor weather exposure Ultraviolet radiation | 1,1 to 1,4 |
| Torque remains partly existant at standstill (max. ½ T ₁) | Oil lubrication 1,2 to 1,8 Grease lubricat. 1,1 to 1,4 Dry operation 1,0 to 1,2 |

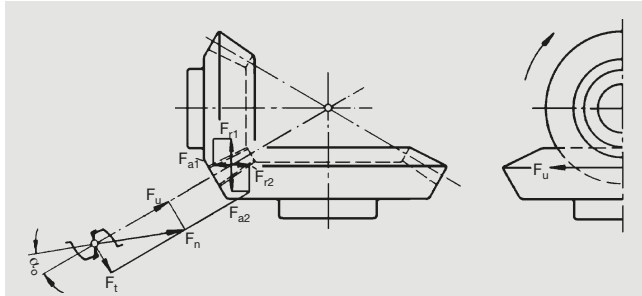


Lagerkräfte – mit 90° Achswinkel und Null- bzw. V-Null-Verzahnung

Die folgende Berechnung der Lagerkräfte erfolgt ohne Berücksichtigung der Lager- und Wellendichtungsreibung, der Planschwirkung der Räder im Ölbad und sonstiger Reibungsverluste, sowie ohne dynamische Zusatzbelastung.

Bearing Loads – with 90° shaft angle and equal addendum or long and short addendum teeth

The following calculation is effected irrespective of the bearing and shaft seal friction, the splash effect of the gears in the oil bath and any other friction losses as well as without any additional dynamic loads.



Faktorentabelle / Table of factors

| Übersetzungsverhältnis Gear ratio | C_u | C_{a1} | C_{a2} |
|--------------------------------------|-------|----------|----------|
| 1:1,0 | 2350 | 600 | 600 |
| 1:1,5 | 2370 | 480 | 720 |
| 1:2,0 | 2400 | 390 | 780 |
| 1:2,5 | 2340 | 320 | 790 |
| 1:3,0 | 2330 | 270 | 800 |
| 1:3,5 | 2290 | 230 | 800 |
| 1:4,0 | 2260 | 200 | 800 |
| 1:5,0 | 2230 | 160 | 800 |

Bild / Fig. 1

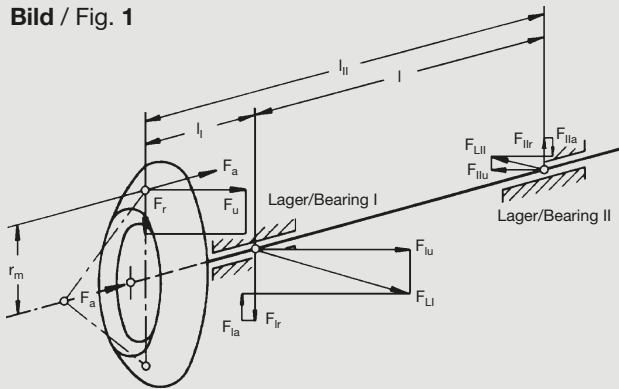
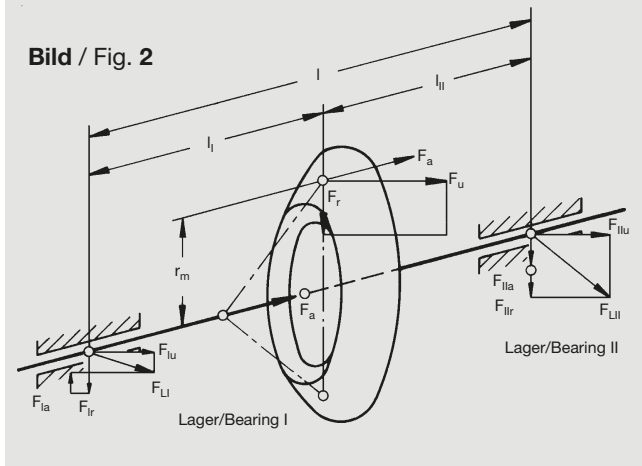


Bild / Fig. 2



Ermitteln der Kräfte am Kegelradpaar

Determination of loads acting upon the bevel-gear pair

$$F_u = \frac{T_1}{d_{o1}} \cdot C_u \quad [N] \quad F_{a1} = \frac{T_1}{d_{o1}} \cdot C_{a1} \quad [N]$$

$$F_{a2} = \frac{T_1}{d_{o1}} \cdot C_{a2} \quad [N] \quad F_{r1} = \frac{T_1}{d_{o1}} \cdot C_{a2} \quad [N]$$

$$F_{r2} = \frac{T_1}{d_{o1}} \cdot C_{a1} \quad [N]$$

Eingesetzt wird:

T_1 in Nm d_{o1} in mm

Insert:

T_1 in Nm d_{o1} in mm

C_u, C_{a1} und C_{a2} entsprechend dem Übersetzungsverhältnis nach nebenstehender Tabelle.

Values C_u, C_{a1} and C_{a2} in accordance with the gear ratio in the opposite table.

Ermitteln der Lagerkräfte

Durch die Vielzahl der Kräfte wird die Rechnung leicht unübersichtlich. Es muss deshalb darauf geachtet werden, dass alle Bezeichnungen mit dem richtigen Index versehen werden.

Determination of bearing loads

Due to the multitude of forces the calculation tends to become confusing. Care must therefore be taken that all designations are provided with their proper index.

1. Formeln zum Ermitteln der Einzellagerkräfte

Formulas for determining the individual bearing forces

Ritzel/Pinion:

$$F_{lu1} = \frac{F_u \cdot l_{l1}}{l_1} \quad F_{lr1} = \frac{F_{r1} \cdot l_{l1}}{l_1} \quad F_{la1} = \frac{F_{a1} \cdot 10 \cdot d_{o1}}{l_1 \cdot C_u}$$

$$F_{llu1} = \frac{F_u \cdot l_{l1}}{l_1} \quad F_{llr1} = \frac{F_{r1} \cdot l_{l1}}{l_1} \quad F_{lla1} = F_{la1}$$

Rad:

$$F_{lu2} = \frac{F_u \cdot l_{l2}}{l_2} \quad F_{lr2} = \frac{F_{r2} \cdot l_{l2}}{l_2} \quad F_{la2} = \frac{F_{a2} \cdot 10 \cdot d_{o2}}{l_2 \cdot C_u}$$

$$F_{llu2} = \frac{F_u \cdot l_{l2}}{l_2} \quad F_{llr2} = \frac{F_{r2} \cdot l_{l2}}{l_2} \quad F_{lla2} = F_{la2}$$

2. Formel zum Ermitteln der Gesamtlagerkräfte

Formulas for determining the total bearing forces

Ritzel/Pinion:

$$F_{Ll1} = \sqrt{F_{lu1}^2 + (F_{lr1} - F_{la1})^2}$$

$$F_{Ll11} = \sqrt{F_{llu1}^2 + (F_{llr1} \pm F_{lla1})^2}$$

Rad/Gear:

$$F_{Ll2} = \sqrt{F_{lu2}^2 + (F_{lr2} - F_{la2})^2}$$

$$F_{Ll12} = \sqrt{F_{llu2}^2 + (F_{llr2} \pm F_{lla2})^2}$$

Das Minus-Zeichen in der Klammer gilt für Bild 1.

The minus sign in brackets applies to Fig. 1.

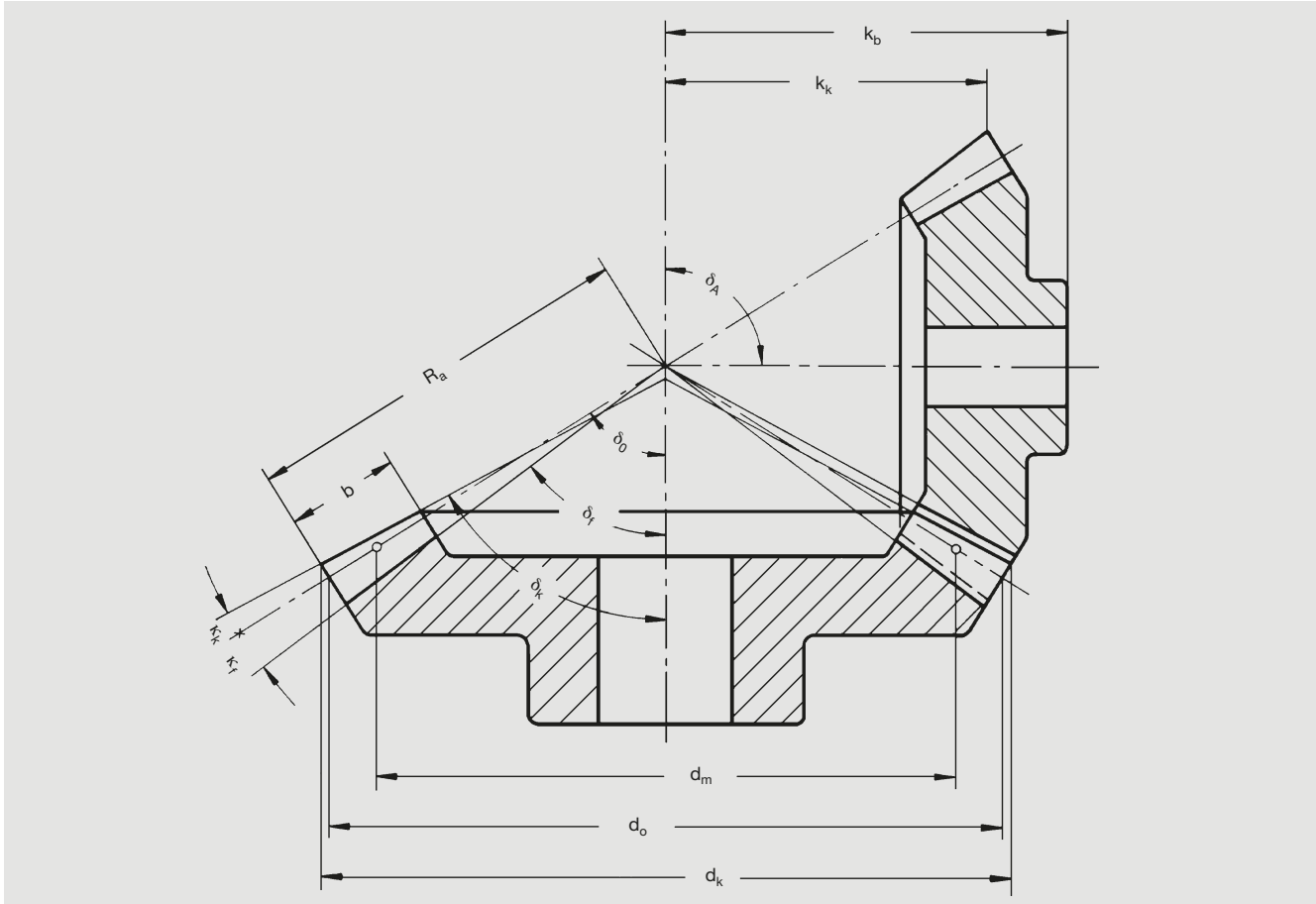


Formeln und Bezeichnungen – mit Achswinkel
 $\delta_A = 90^\circ$ und Null- und V-Null-Verzahnung

Formulas and Descriptions with shaft angle $\delta_A = 90^\circ$
and equal addendum or long and short addendum
teeth

Bestimmungsgrößen am Kegelradpaar

Values to be determined of a bevel-gear pair

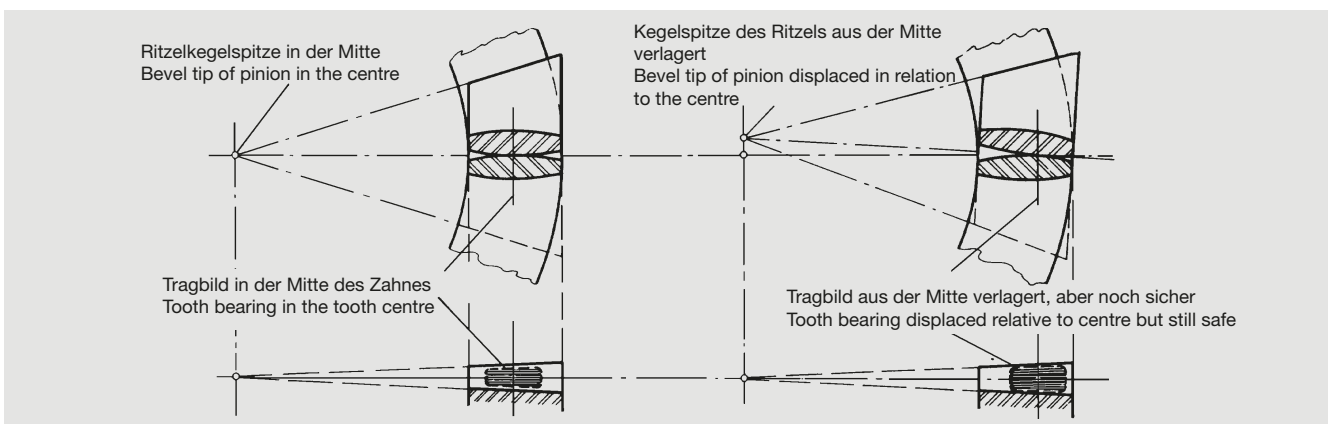


Ballige Verzahnung

Kegelräder mit balligem Zahntragen haben den Vorteil, dass sie gegen Verlagerungen weitgehend unempfindlich sind. Diese Verlagerungen stellen den Summenfehler aus den Herstellungs- und Einbaufehlern und den Durchbiegungen unter der Betriebsbelastung dar, und sind im voraus rechnerisch nicht zu erfassen. Durch die Verwendung eines begrenzten Tragbildes wird jedoch, wie unser Bild zeigt, die schädliche Wirkung dieser Fehler ausgeschaltet.

Values to be determined of a bevel-gear pair

Bevel gears with crowned tooth bearing have the advantage of being widely insusceptible to displacements. These displacements represent the composite error resulting from individual production and mounting errors and deflections under operational load conditions and cannot be determined beforehand by calculation. The detrimental effect of these errors can, however, be eliminated by using a limited tooth bearing as shown in the illustration.





Formeln und Bezeichnungen – mit Achswinkel $\delta_A = 90^\circ$ und Null- und V-Null-Verzahnung

Formulas and Descriptions with shaft angle $\delta_A = 90^\circ$ and equal addendum or long and short addendum teeth

| Benennung / Description | Formel/ Formulas | | Dimension |
|---|--|---|------------------------------------|
| | Ritzel / Pinion | Rad / Gear | |
| Zähnezahl Number of teeth | $z_1 = \frac{d_{o1}}{m_o}$ | $z_2 = \frac{d_{o2}}{m_o}$ | |
| Modul Module | $m_o = \frac{t_o}{\pi} = \frac{d_{o1}}{z_1} = \frac{d_{o2}}{z_2}$ | | mm |
| Teilkreisdurchmesser Pitch diameter | $d_{o1} = z_1 \cdot m_o$ | $d_{o2} = z_2 \cdot m_o$ | mm |
| Zahnbreite Face width | $b \approx 0,25 \text{ bis/to } 0,3 \cdot R_a \text{ oder/or } 8 \cdot m_o$ | | |
| Eingriffswinkel Pressure angle | $\alpha_o = 20^\circ \text{ (nach/acc. to DIN 867)}$ | | Grad/degree |
| Übersetzungsverhältnis Gear ratio | $i = \frac{z_2}{z_1} = \frac{d_{o2}}{d_{o1}} = \frac{n_1}{n_2}$ | | |
| Teilkegelwinkel Pitch (cone) angle | $\tan \delta_{o1} = \frac{z_1}{z_2}$ | $\delta_{o2} = 90^\circ - \delta_{o1}$ | |
| Äußere Teilkegellänge Outer cone distance | $R_a = \frac{d_{o1}}{2 \cdot \sin \delta_{o1}}$ | | mm |
| Mittlere Teilkegellänge Middle cone distance | $R_m = R_a - \frac{b}{2}$ | | mm |
| Mittlerer Modul Medium module | $m_m = m_o \cdot \frac{R_m}{R_a}$ | | mm |
| Mittlerer Teilkreisdurchmesser Reference diameter | $d_{m1} = m_m \cdot z_1$ | $d_{m2} = m_m \cdot z_2$ | mm |
| Teilkreis-Teilung Circular pitch | $t_o = m_o \cdot \pi$ | | mm |
| Profverschiebungsfaktor (Höhenverschiebungsfaktor) Addendum modification coefficient (height modification coefficient) | übliche Profilverziehung: beim Ritzel plus, beim Rad negativ X regular profile correction: pinion positive, gear negative Formel nach Gleason $x = 0,46 \left(1 - \frac{1}{i^2}\right)$ Formula acc. to Gleason | | |
| Zahnköpfe Addendum | $h_{k1} = m_o (1 + x)$ | $h_{k2} = m_o (1 - x)$ | mm |
| Zahnhöhe Tooth depth | $h_z = 2,188 \cdot m_o \text{ (nach/acc.to Gleason)}$ $= 2,25 \cdot m_o \text{ (nach/acc.to DIN 3972/II)}$ | | mm |
| Zahnfußhöhe Dedendum | $h_{f1} = h_z - h_{k1}$ | $h_{f2} = h_z - h_{k2}$ | mm |
| Kopfkreisdurchmesser Tip diameter | $d_{k1} = d_{o1} + 2h_{k1} \cdot \cos \delta_{o1}$ | $d_{k2} = d_{o2} + 2h_{k2} \cdot \cos \delta_{o2}$ | mm |
| Fußwinkel Dedendum angle | $\tan \kappa_{f1} = \frac{h_{f1}}{R_a}$ | $\tan \kappa_{f2} = \frac{h_{f2}}{R_a}$ | |
| Kopfwinkel Addendum angle | $\kappa_{k1} = \kappa_{f2}$ | $\kappa_{k2} = \kappa_{f1}$ | Grad und Min. degree and min. |
| Kopfkegelwinkel Tip (cone) angle | $\delta_{k1} = \delta_{o1} + \kappa_{f2}$ | $\delta_{k2} = \delta_{o2} + \kappa_{f1}$ | Grad und Min. degree and min. |
| Fußkegelwinkel Root (cone) angle | $\delta_{f1} = \delta_{o1} - \kappa_{f1}$ | $\delta_{f2} = \delta_{o2} - \kappa_{f2}$ | Grad und Min. degree and min. |
| Einbaudistanz Kegelscheitel-Bezugsfläche Mounting distance cone apex reference surface | k_{b1} | k_{b2} | mm |
| Abst. Kegelscheitel bis äußere Kegelkante Distance cone apex to outer cone edge | $k_{k1} = \frac{d_{o2}}{2} - h_{k1} \cdot \sin \delta_{o1}$ | $k_{k2} = \frac{d_{o1}}{2} - h_{k2} \cdot \sin \delta_{o2}$ | mm |
| Leistung Power | P (1 PS = 0,736 kW) (1 kW = 1,36 PS) | | kW |
| Drehmoment Torque | $T_1 = 9550 \frac{P}{n_1}$ | $T_2 = 9550 \frac{P}{n_2}$ | Nm |
| Drehzahl Speed | n | | min ⁻¹ (U/min) (rpm) |
| Umfangsgeschwindigkeit Peripheral speed | $v = \frac{\pi \cdot d_{m1} \cdot n_1}{60000}$ oder/or $v = \frac{\pi \cdot d_{m2} \cdot n_2}{60000}$ | | m/sec |



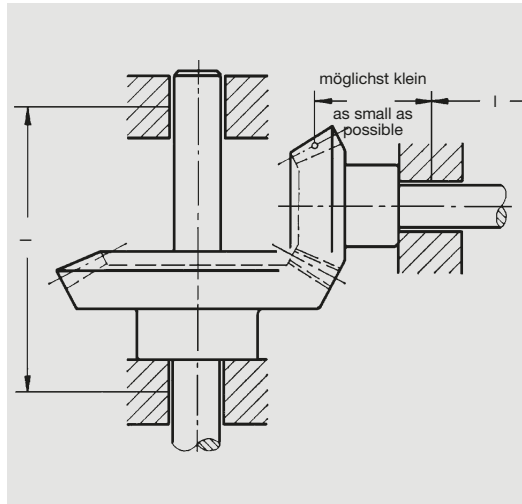
Geradzahnkegelräder

Anordnung der Kegelräder

Kegelradtriebe sind Triebe mit sich schneidenden Achsen. Dies erfordert häufig eine fliegende Lagerung der Kegelräder. Um die Verlagerung des Tragbildes unter Betriebsbelastung klein zu halten, sind möglichst große Wellendurchmesser, ein minimaler Abstand von Zahnmitte bis zum Lager und eine beiderseitige Lagerung des Rades anzustreben. Damit das Kippmoment nicht zu groß wird, sollte die Lagerentfernung *l* ein Mindestmaß nicht unterschreiten. Mindestlagerentfernung der Ritzelwelle bei fliegender Lagerung $\approx 2,5 \cdot d_{o1}$
 Mindestlagerentfernung der Radwelle bei $i = 1$ und beiderseitiger Lagerung $\approx 1,5 \cdot d_{o2}$
 bei $i > 2$ und beiderseitiger Lagerung $\approx 0,7 \cdot d_{o2}$

Montagehinweise

Einbaudistanz, Tragbild an den Zahnflanken und Flankenspiel sind die wichtigsten Montagehilfen. Einbaudistanz k_{b1} und k_{b2} können den Maßtabellen im Katalog entnommen werden. Tragbilder werden durch Auftragen von Tuschiefarbe und langsames Drehen der Räder unter leichter (bis 100 %) Last sichtbar gemacht.



Straight-tooth bevel gears

Arrangement of bevel gears

Bevel-gear drives are used for power transmission between intersecting shafts. This often requires overhung-mounting of the bevel gears. In order to keep the displacement of the tooth bearing under operational loads small, largest possible shaft diameters, minimal distance from tooth centre to bearing and a double-sided support of the gear are to be provided, if possible. To keep the moment of tilt small, the bearing distance "l" should not fall short of a minimum length. Minimum bearing



distance of the overhung pinion shaft $\approx 2,5 \cdot d_{o1}$
 Minimum bearing distance of the gear shaft when $i=1$ and both sides supported $\approx 1,5 \cdot d_{o2}$
 when $i>2$ and both sides supported $\approx 0,7 \cdot d_{o2}$

Mounting notes

Mounting distance, tooth bearing at the flanks and backlash are the most important mounting considerations. Mounting distances k_{b1} and k_{b2} can be taken from the tables of dimensions in the catalogue. Tooth bearings are made visible by applying China ink and slowly turning the gears under light load (up to 100 %).

Soll-Flankenspiel / zul. Einbau-Toleranzen bei mittleren Belastungen
 Theoretical backlash / permissible mounting tolerances under mean loads

| Modul Module | | 1,0–1,5 | 2,0–3,0 | 3,5–4,0 | 4,5–5,0 |
|--|----|----------|-----------|-----------|-----------|
| Flankenspiel Backlash | mm | 0,05–0,1 | 0,07–0,13 | 0,10–0,15 | 0,13–0,18 |
| Einbaudistanzfehler Mounting distance error | mm | 0,03 | 0,04 | 0,05 | 0,06 |
| Achsmittensversatz Centre distance displacement | mm | 0,02 | 0,03 | 0,03 | 0,04 |

Achswinkelfehler $2' = 0,05$ mm auf 100 mm Wellenlänge
 Shaft angle error $2' = 0.05$ mm per 100 mm shaft length



Die nachstehenden Abbildungen zeigen anschaulich Einbaufehler und die sich daraus ergebenden Veränderungen des Tragbildes.

Die gezeichneten Einbaufehler werden als Fehler des Ritzels gezeigt. Für das Rad gilt entsprechend abgewandelt dasselbe. Sind die Fehler in entgegengesetzter Richtung zu den jeweils abgebildeten Fehlern, so liegen die Tragbilder an den schraffierten Stellen.

The opposite drawings graphically depict mounting errors and the ensuing modifications of the tooth bearing.

The mounting errors illustrated are shown as errors relating to the pinion. The same applies analogously to the gear. If the errors occur in the opposite direction to the errors illustrated, the relative tooth-bearing positions are shown as shaded areas in the drawing.



Bild a
Richtig eingebautes Kegelradpaar.

Einbaumaß wurde abgestimmt. Die Tragbildmitte liegt etwas vor der Zahnmitte (unter Last verlagert sich das Tragbild dem dicken Zahnende zu).

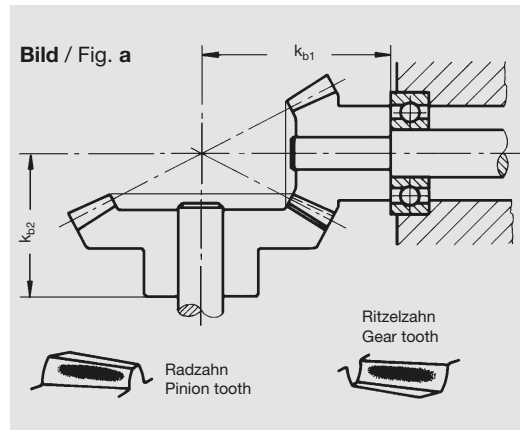


Fig. a –
Correctly mounted bevel-gear pair.

The locating distance was matched. The tooth bearing centre lies somewhat in front of the tooth centre (under load the tooth bearing is shifted towards the thick tooth end).

Bild b – Fehler:
Einbaudistanz zu groß, Tragbild liegt am Ritzelzahn zu tief, am Radzahn zu hoch.

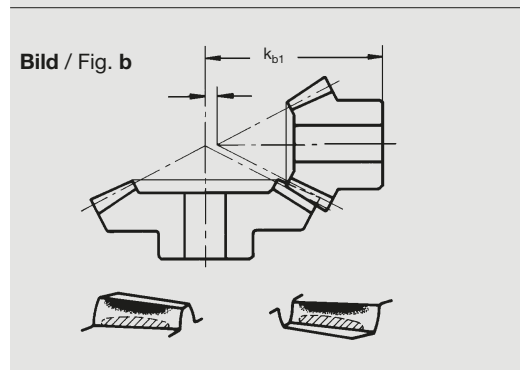


Fig. b – Error:
Mounting distance too large. Bearing on the pinion tooth too low, on the gear tooth too high.

Bild c – Fehler:
Achswinkel zu groß, Tragbild liegt am Ritzel- und Radzahn am dünnen Zahnende.

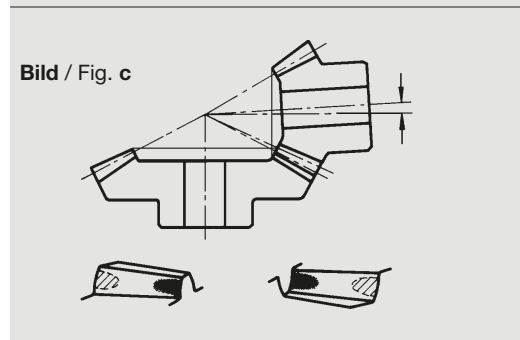


Fig. c – Error:
Shaft angle too large. Bearing on pinion tooth and gear tooth on the thin tooth ends.

Bild d – Fehler:
Achsen schneiden sich nicht, Tragbild am Ritzel- und Radzahn kreuzweise.

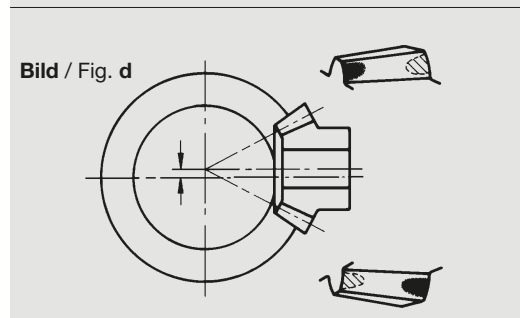


Fig. d – Error:
Axes not intersecting. Bearings on pinion tooth and gear tooth crosswise.

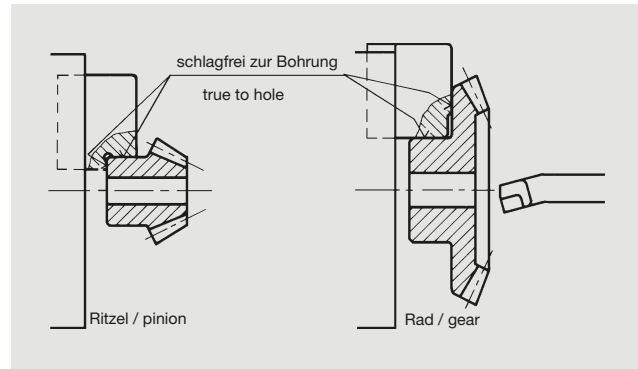


ATLANTA-Kegelräder mit einseitiger Nabe

Der Nabendurchmesser und eine Anlagefläche der Kegelräder wird mit sehr enger Toleranz zur Verzahnung geschliffen bzw. in einer Aufspannung gedreht.

ATLANTA bevel gears with one-sided hub

The hub diameter and one contact surface of the bevel gears is ground to very close tolerances relative to the toothing or turned on the lathe in one operation.



Härten der Zähne

ATLANTA-Kegelräder werden aus normalgeglühtem Vergütungsstahl Cf 53 Werkst.-Nr. 1.213 – Stahl für Oberflächenhärtung – mit 650 N/mm² hergestellt. Wird eine höhere Festigkeit verlangt, können diese Kegelräder aus Spezialstahl Cf 53 vergütet, oder wahlweise auch die Zähne flamm- bzw. induktionsgehärtet werden (ca. 50 HRC).

Hardening of the teeth

ATLANTA bevel gears are made of normalized heat-treatable steel Cf53, material no. 1.213 (steel for surface hardening) with 650 N/mm². If higher strength is required, these bevel gears of Cf53 special steel can be tempered and quenched or else their teeth may be flame or induction hardened (approx. 50 HRC).

Schmierung

Bei Ölschmierung empfehlen wir Hypoid Getriebeöle, die wenigstens der Norm SAE 80 entsprechen.
Bei Fettschmierung empfehlen wir Fette nach NLGI 0 oder NLGI 00.

Lubrication

For oil lubrication we recommend hypoid gearbox oils at least corresponding to SAE 80 standard.
For grease lubrication we recommend grease in accordance with NLGI 0 or NLGI 00.

Kurzbeschreibung

ATLANTA-Norm-Kegelräder werden aus Vergütungsstahl Cf 53 Werkstoff-Nr. 1.1213 mit 650–800 N/mm² Festigkeit hergestellt. Unsere Kegelräder können für höhere Beanspruchungen nachträglich flamm- oder induktiv-gehärtet werden. Die folgenden Berechnungen nehmen deshalb immer auf gehärtete und ungehärtete Räder Bezug.

Beim Flamm- bzw. Induktivhärten sind die einschlägigen Vorschriften zu beachten.

Zu erwähnen ist noch, dass unsere Kegelradsätze auf beste Belastbarkeit, nach den Richtlinien von Gleason, korrigiert sind. Unsere Fertigung beschränkt sich nicht auf die im Katalog genormten Typen. Seit Jahren fertigen wir Kegelräder mit den verschiedensten Maßen und aus den verschiedensten Werkstoffen wie 16 Mn Cr 5, 15 CrNi 6, 50 Cr V 4 etc.

Die Berechnungsunterlagen sind auf unsere Norm-Kegelräder zugeschnitten.

Short description

ATLANTA standard bevel gears are made of heat-treatable steel Cf 53, material no. 1.1213, having a strength of 650–800 N/mm². For heavy-duty application our bevel gears may be subsequently flame or induction hardened. The following calculations therefore always refer to hardened as well as non-hardened gears.

For flame or induction hardening the relevant regulations are to be observed.

Please note that our bevel-gear sets have been corrected for a maximum loading capacity in accordance with the guidelines specified by Gleason. For years we have manufactured bevel gears of many different sizes and materials such as 16 Mn Cr 5, 15 CrNi 6, 50 Cr V 4, etc.

The calculations in this catalogue are tailored to our standard bevel gears.

